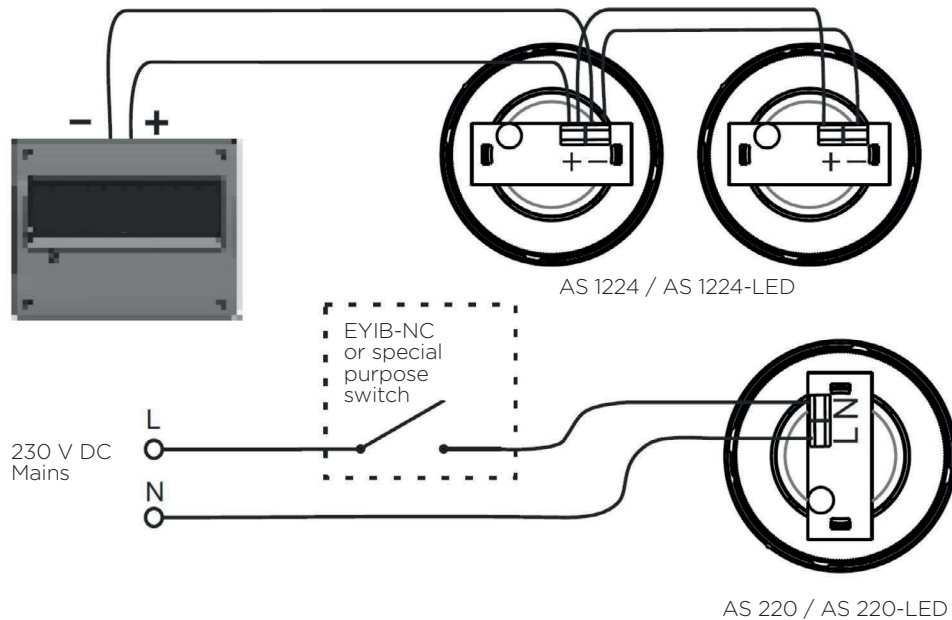


Usage Purpose

- > May only be used indoor.
- > The product doesn't need any further activations after being powered.
- > The Fire Alarm Sounders must be placed according to the Fire Evacuation Plan and such to be heard from any possible points in order to operate compliant with their purpose.
- > 2 x 1,5 mm cables should be used.



Technical Features

	SF105B
Supply Voltage	24 V DC
Alarm Current	34 mA
Class	Type A (Indoor)
Sound Level Max	100 dB/m(A)
Protection Class	IP 44
Casing Material	ABS-FR
Operating Temperature	(-10°C) - (+55°)
Relative Humidity (Max.)	95%
Weight	130 g
Dimensions	Ø: 90 mm, h: 65 mm



Mounting Instructions

- > Perforate the cable hole (point a) of the lower casing (Figure 1) and insert the sounder cables here.
- > Perform the wall mounting according to the dimension of the wall mounting points.
- > Perform the connection between the connector in the upper casing (Figure 2(a)) with the connector indicated on Page 2.
- > Place the upper casing (Figure 2(a)) according to the notches to be seen in the figure on the lower casing (Figure 2(b)).
- > Turn the casing counter clock wise.
- > Fix the plastic metric 2,5 x 6,5 mm screw in the box into the screw hole in the lower casing.

Warnings

- > The selection of the mounting locations and the commissioning should be performed together with the technical service.
- > Be sure that the sounder line connections are correct.
- > Perform the periodical maintenances.
- > Call the authorized service for the annual control.
- > Avoid contact with water, dust and chemical materials.
- > Don't touch with wet hands.
- > The plastic protection must remain on until it is ready for use.
- > The product warranty term is 2 (two) years.
- > The product usage life term determined by the ministry is 5 years.

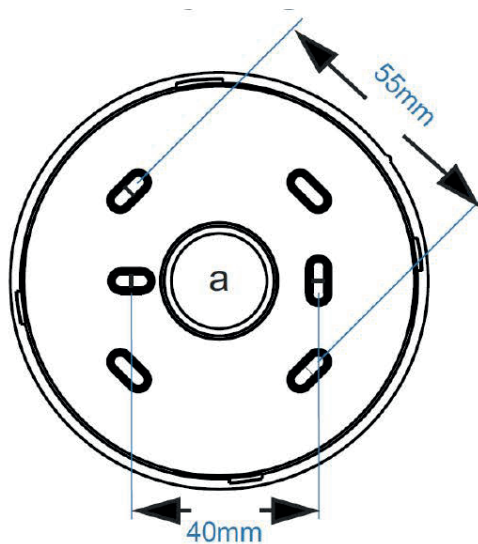


FIGURE 1

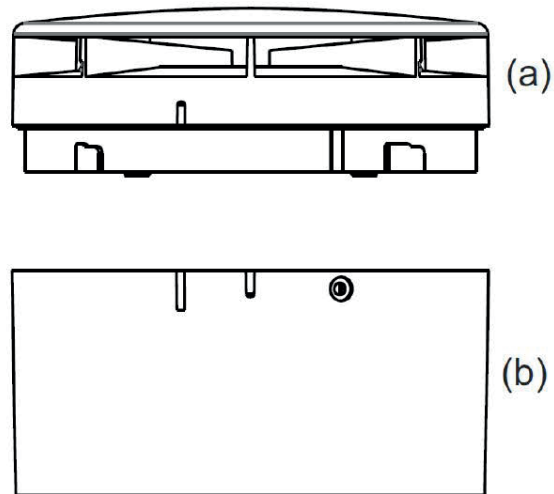


FIGURE 2